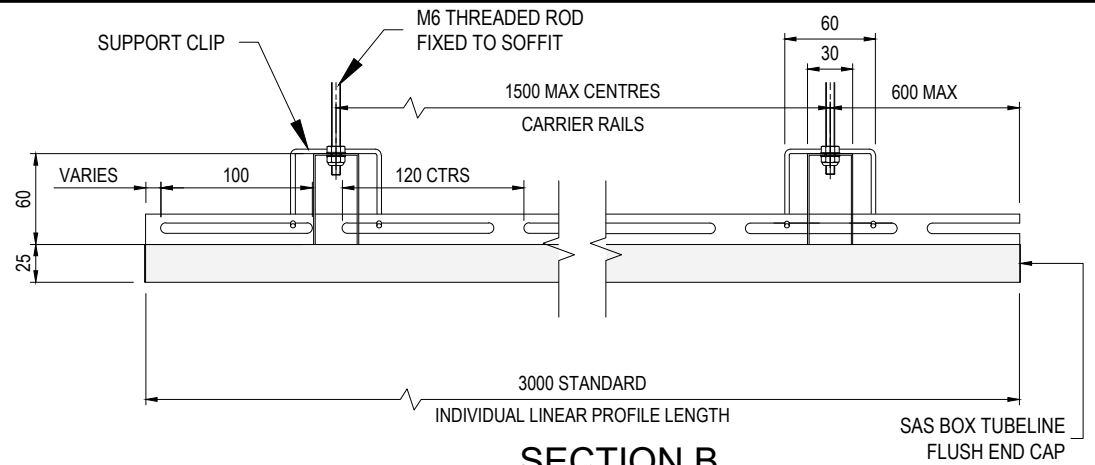
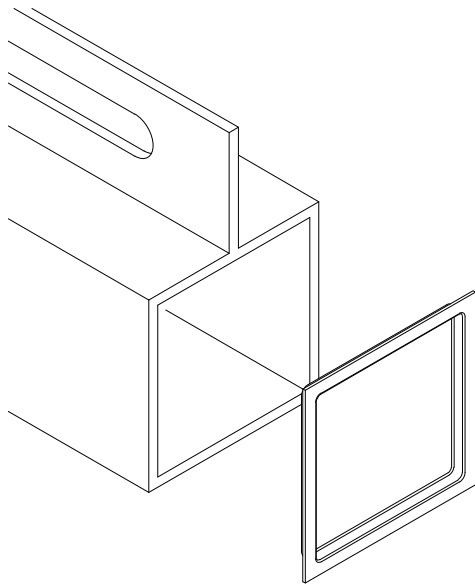


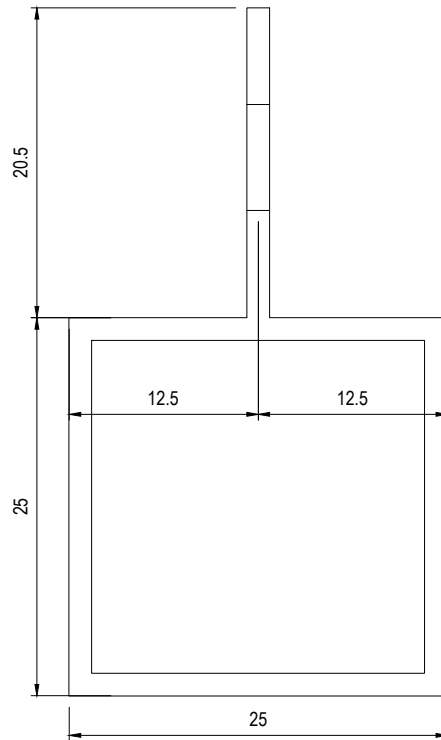
**SECTION A**  
SCALE 1:5



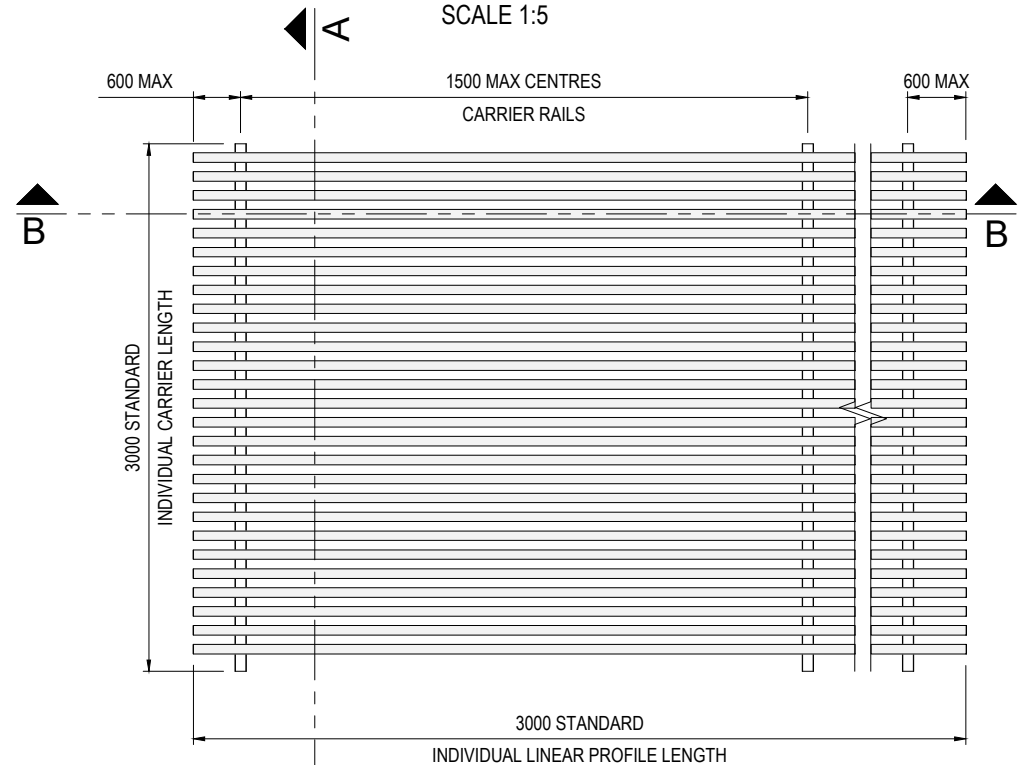
**SECTION B**  
SCALE 1:5



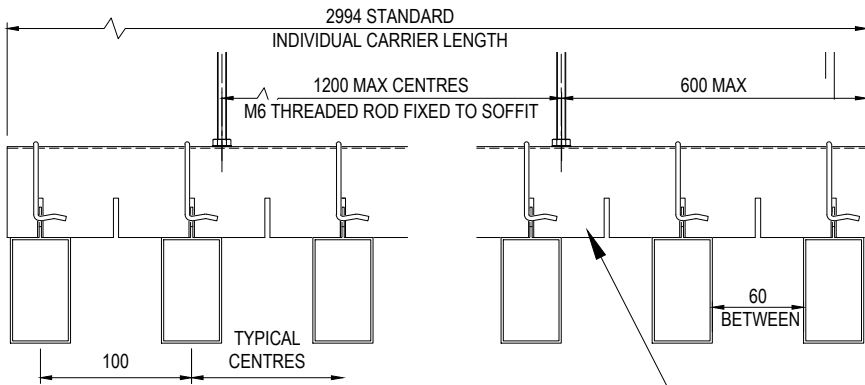
**END CAP ISO VIEW**  
SCALE 1:2



**25x25mm ALUMINIUM BOX**  
SCALE 2:1



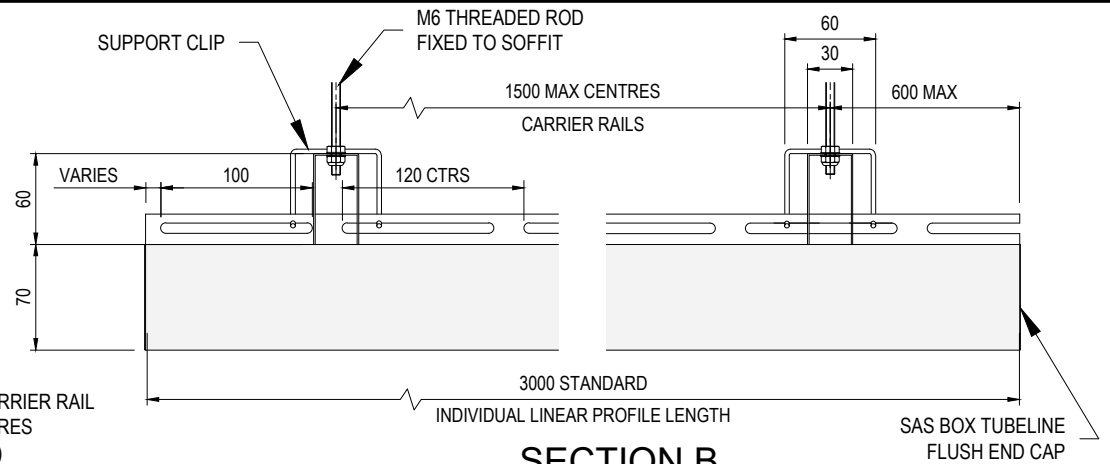
**REFLECTED CEILING PLAN**  
SCALE 1:20



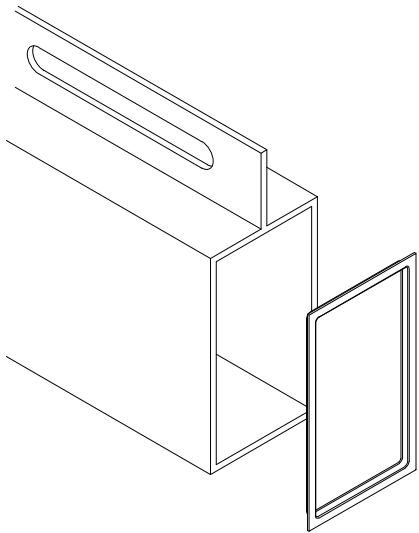
TUBE CENTRES 100mm AS STANDARD.  
ALTERNATIVE CENTRES AVAILABLE UPON  
REQUEST.

**SECTION A**  
SCALE 1:5

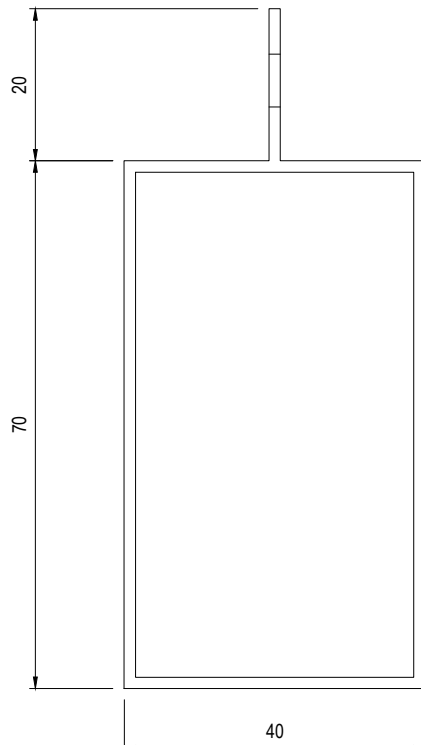
1.0mm THK PUNCHED CARRIER RAIL  
FIXED @ MAX 1500 CENTRES  
FINISH: RAL 9005 (BLACK)



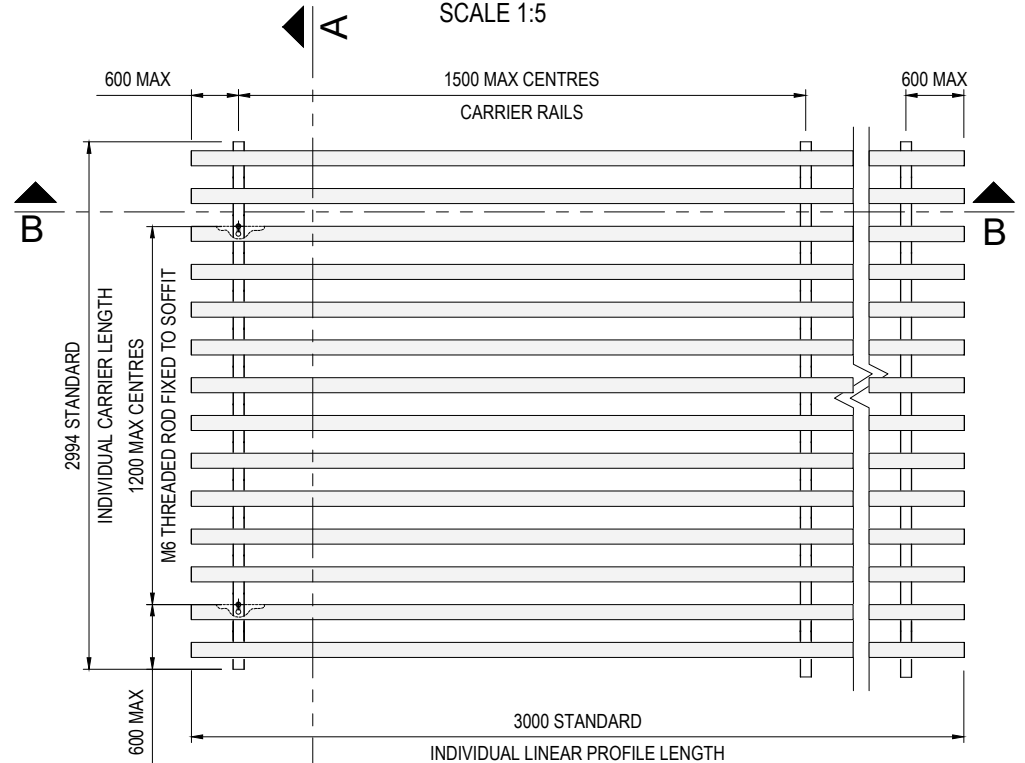
**SECTION B**  
SCALE 1:5



**END CAP ISO VIEW**  
SCALE 1:2



**70x40mm ALUMINIUM BOX**  
SCALE 1:1



**REFLECTED CEILING PLAN**  
SCALE 1:20



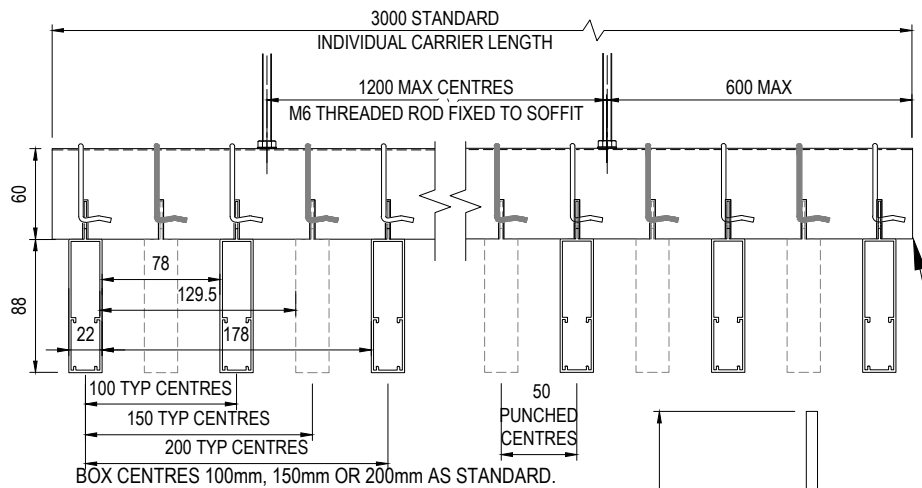
SAS International  
31 Suttons Business Park  
London Road, Reading  
Berkshire RG6 1AZ  
United Kingdom  
Tel: +44 (0)118 929 0900  
Fax: +44 (0)118 929 0901  
www.sasint.co.uk

WORKNORM PATH  
FOLDER SYSTEMS  
FOLDER TUBELINE  
FOLDER APPLICATION

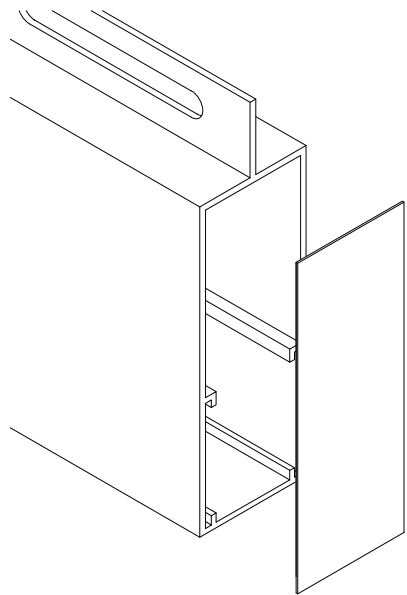
REV	DATE	DESCRIPTION
B	06-07-15	TITLE UPDATE

SYS 750 - 70x40 ALUMINIM BOX  
TYPICAL DETAILS  
THREADED ROD PRIMARY SUSPENSION

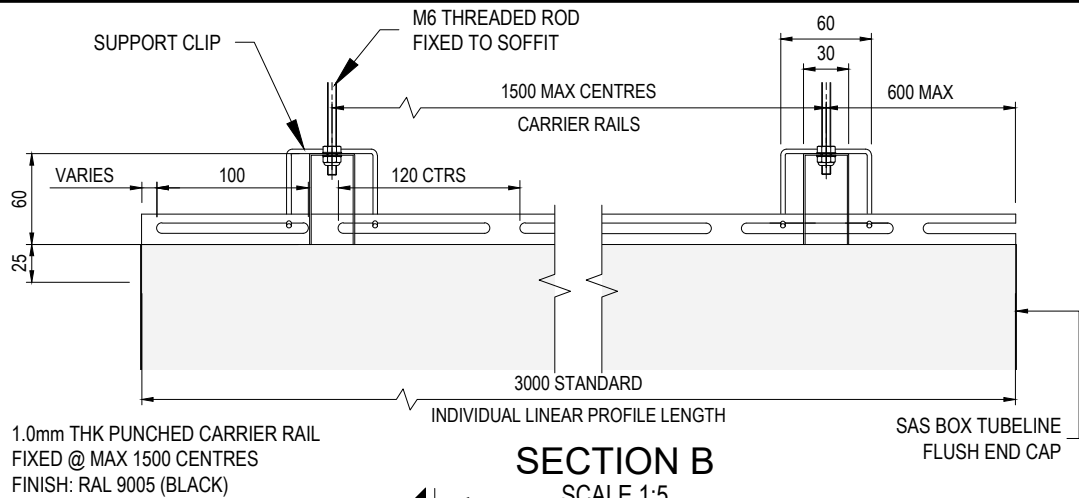
SCALE	AS SHOWN @ A4	DATE	09-12-14	DRAWN BY	M.B.
DRG / ITEM No.	0305	REV			B
FACTORY	BE / AP				WORKNORM



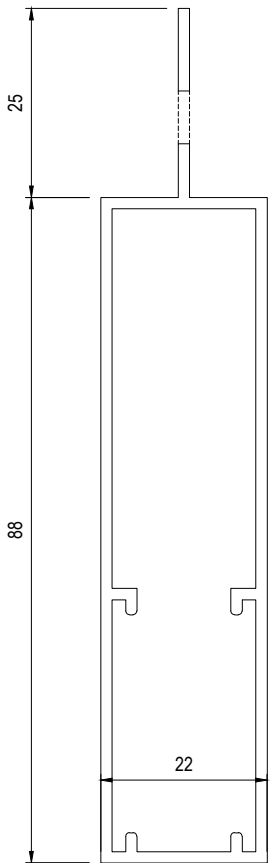
**SECTION A**  
SCALE 1:5



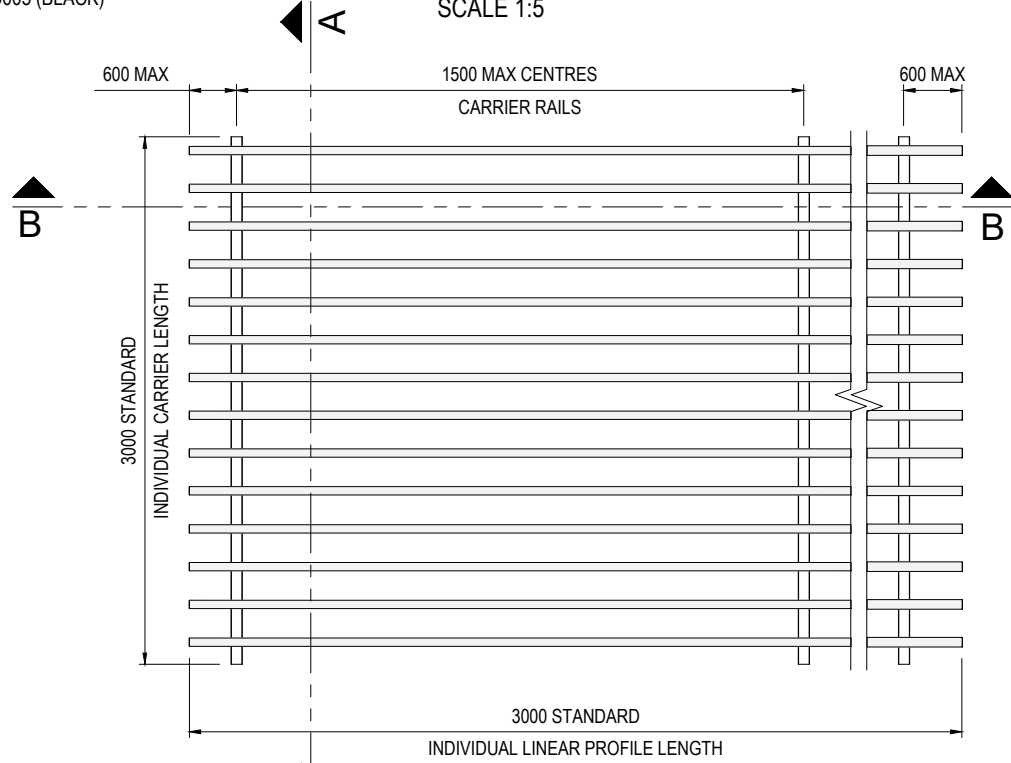
**END CAP ISO VIEW**  
SCALE: NTS



**SECTION B**  
SCALE 1:5



**88x22mm ALUMINIUM BOX**  
SCALE 1:1



**REFLECTED CEILING PLAN**  
SCALE 1:20