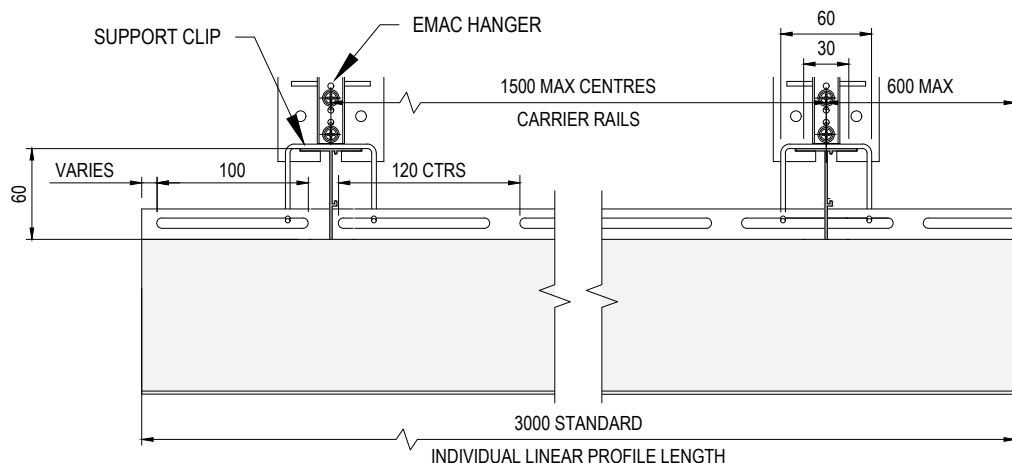
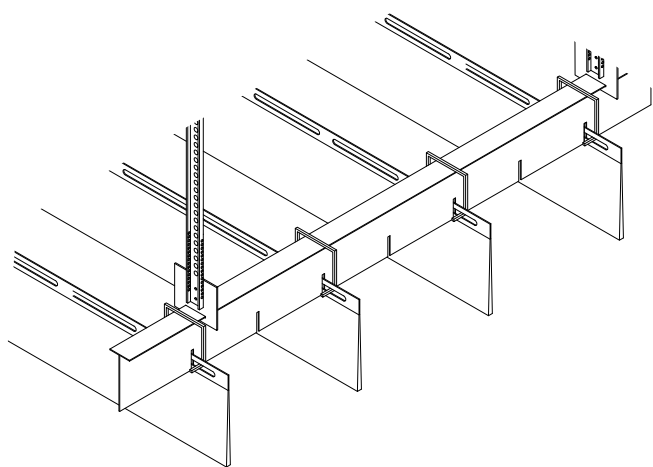


SECTION A
SCALE 1:5

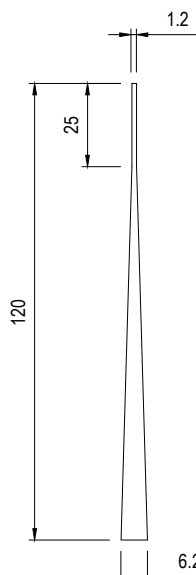


SECTION B
SCALE 1:5

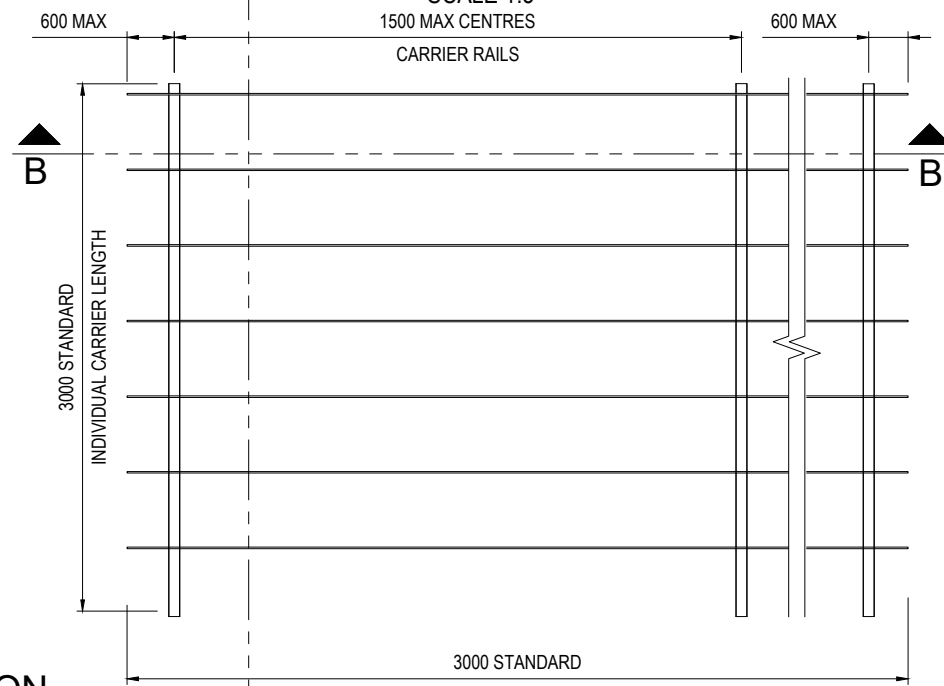
1.0mm THK PUNCHED CARRIER RAIL
FIXED @ MAX 1500 CENTRES
FINISH: RAL 9005 (BLACK)



ISOMETRIC VIEW
SCALE: NTS



ALUMINIUM EXTRUSION PROFILE
SCALE 1:2



REFLECTED CEILING PLAN
SCALE 1:20



SAS International
31 Suttons Business Park
London Road, Reading
Berkshire RG6 1AZ
United Kingdom
Tel: +44 (0)118 929 0900
Fax: +44 (0)118 929 0901
www.sasint.co.uk

WORKNORM PATH	REV	DATE	DESCRIPTION
FOLDER SYSTEMS	A	26.10.18	FIRST ISSUE
FOLDER TUBELINE			
FOLDER APPLICATION			

SYS 750 - CRANKED VERTILINE
TYPICAL DETAILS
200mm CENTRES

SCALE	DATE	DRAWN BY
AS SHOWN @ A4	26.10.18	LB
DRG / ITEM No.	REV	
0398S - 200		A
FACTORY	BE / AP	WORKNORM