
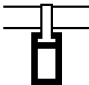


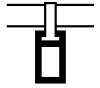
SAS740 


SAS
International



Overview

| SYSTEM GROUP | | GRID |
|---|-------------------------------|---|
|  | | Slotted EMAC Grid EMAC Hanger suspension |
| Linear Profile Ceiling | | |
| PROFILE | MATERIAL | |
|  | Aluminium | |
| Bolt-on Rectilinear – as standard | | |
| ACOUSTICS | APPLICATION | END CAPS |
| A-D | Interior and External | ✓ |
| Absorption class | | |
| ACCESS | SYSTEM WEIGHT | LIFE EXPECTANCY |
| Full Void Access | 1.1-1.8Kg/Lm + Grid | 25yr |
| In excess of | | |



SAS740 is the most versatile of SAS' linear ceilings, able to accommodate complex geometry and void access. Unlike other continuous linear profile systems, SAS740 can intersperse with acoustic infill panels.

The aluminium system is suitable for spaces requiring a premium aesthetic alternative to suspended tile or open cell ceilings.

Profile Sizes

| | |
|---------------------|--------------------------|
| Standard Length | 3000mm |
| Standard Dimensions | 30 x 165mm 40 x 100mm |

SAS740 can accommodate a wide range of bespoke profile shapes, sizes and waveform profiles, all available on request. Longer continuous runs can be achieved through splices.

Access

Void access can be achieved through demounting profiles.

Finishes

SAS740 is available in all standard SAS finishes, please refer to page 105. Bespoke finishes are available on request, including polished and anodised.

Acoustic Materials

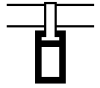
SAS740 can be specified with acoustic tiles in between linear profiles. 16mm deep, 80Kg density mineral wool pad with black tissue face, foil back and sides. Other acoustic materials are available, please refer to page 20.

Service Integration

Full services and lighting integration.

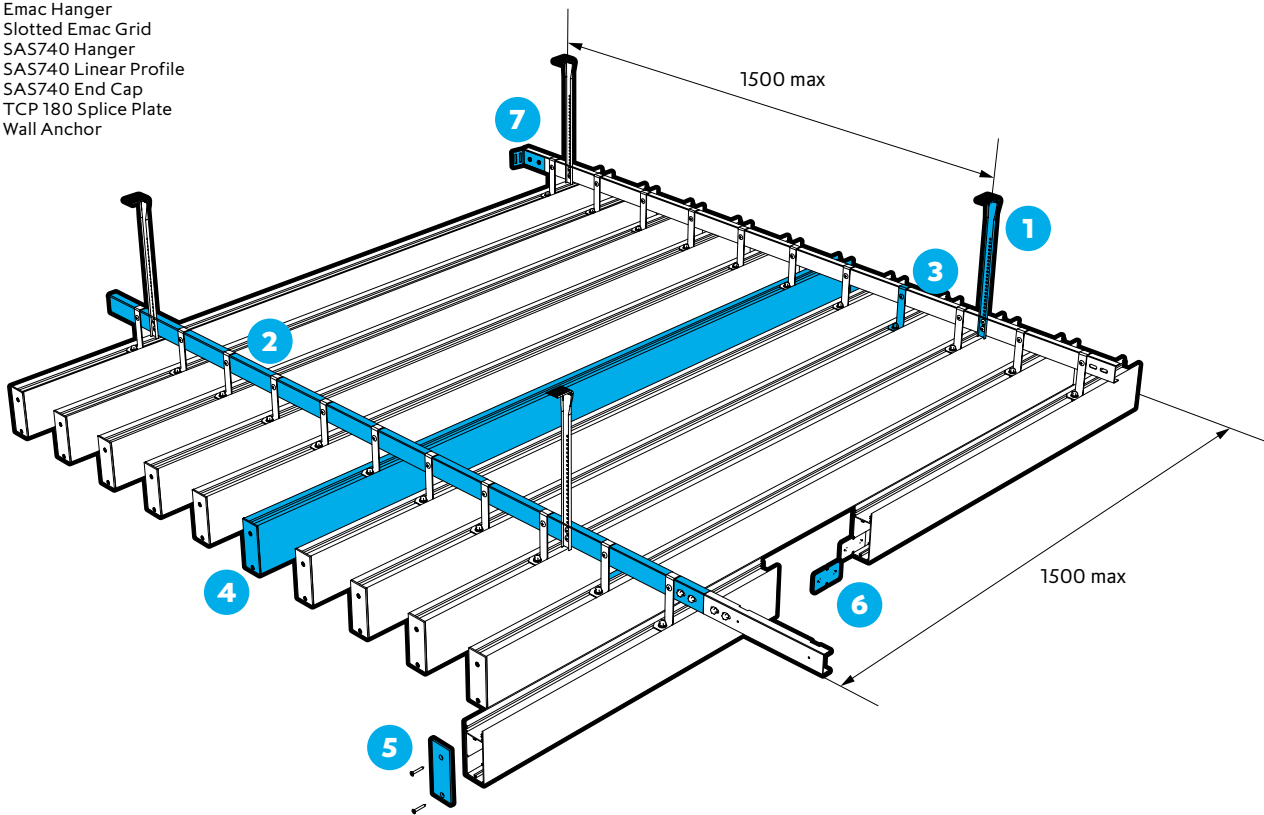
Technical Support

Please contact our technical team for all questions relating to access, bespoke features, access and service integration.

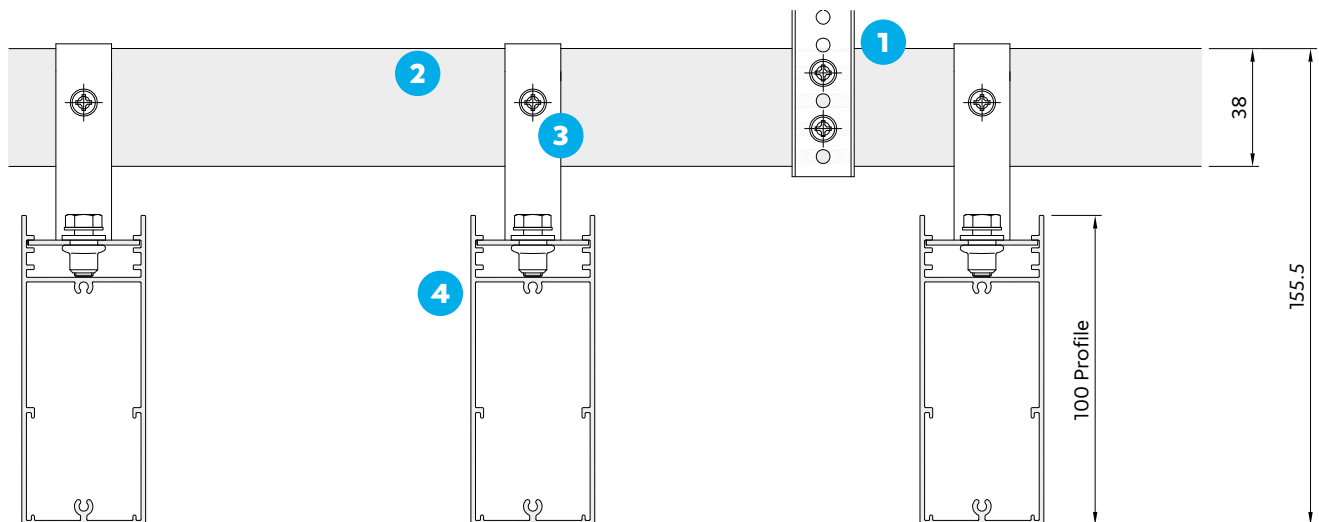


Perspective Drawing

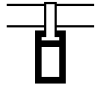
- 1 Emac Hanger
- 2 Slotted Emac Grid
- 3 SAS740 Hanger
- 4 SAS740 Linear Profile
- 5 SAS740 End Cap
- 6 TCP 180 Splice Plate
- 7 Wall Anchor



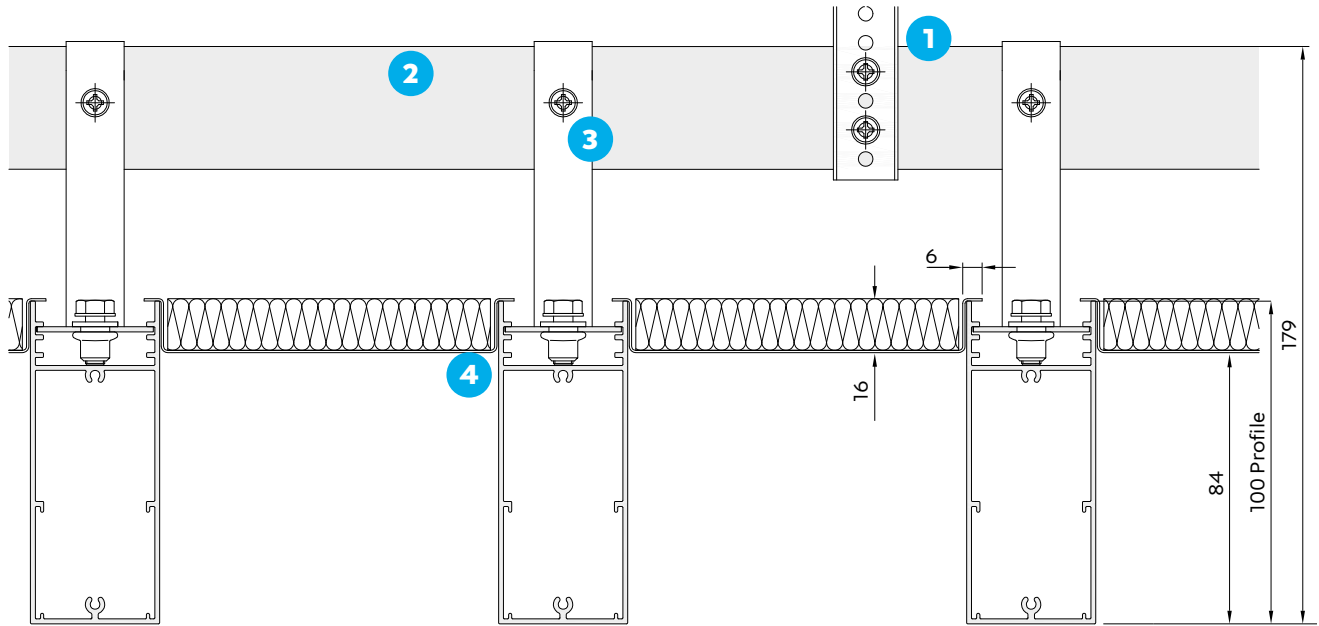
Section Drawing – Hanger Short



All dimensions are in mm.



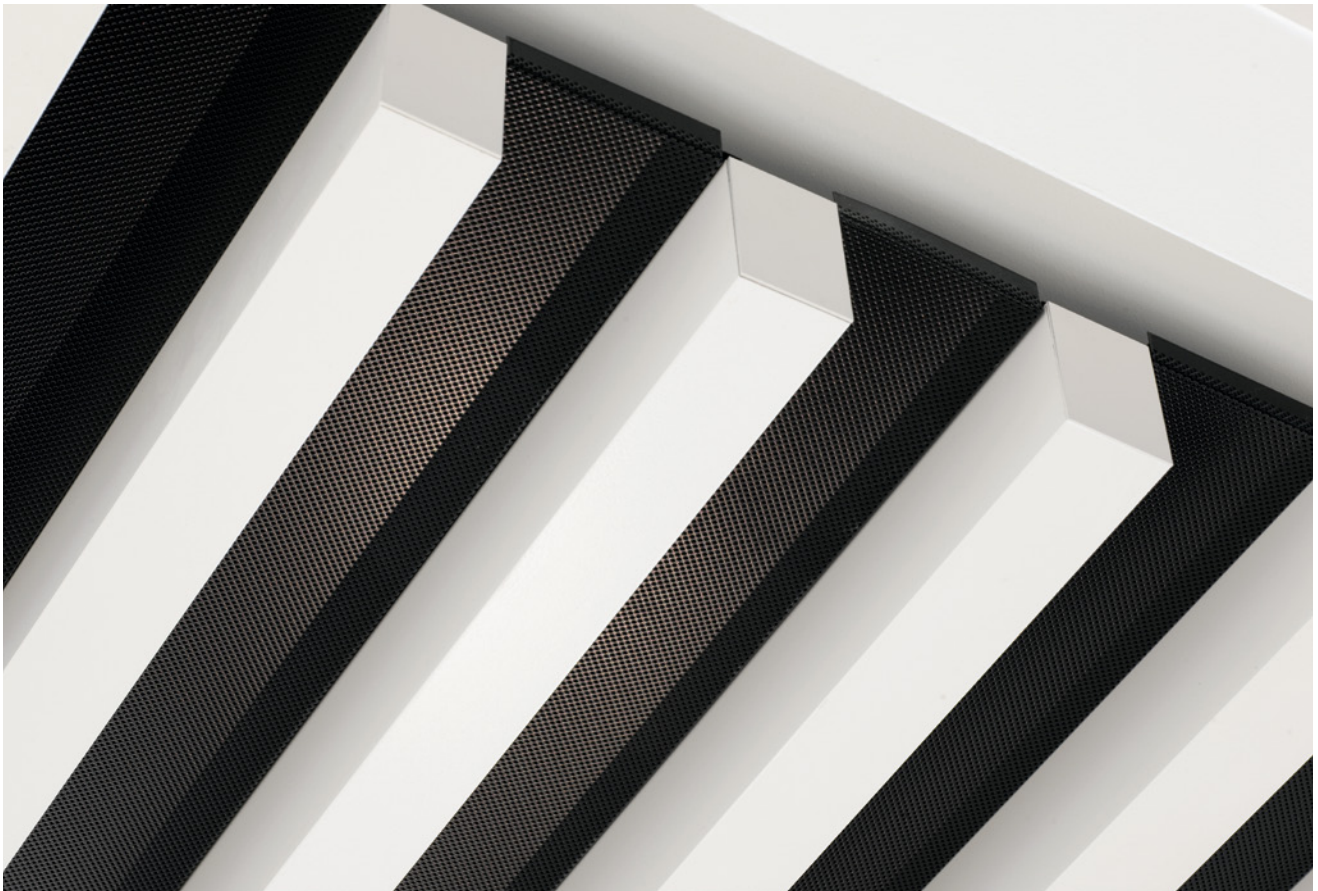
Section Drawing - Hanger Long



All dimensions are in mm.



SAS**740**



20 Fenchurch Street

Location
London, UK
Architect
**Edge Architecture
& Design Ltd**
Contractor
Paragon Management

Subcontractor
**Laser Acoustics
Ceilings Ltd**
Purpose
Commercial

SAS^{PLUS}

SAS Plus offers the system designer access to SAS' in-house design team to collaborate on bespoke ceiling specification. Systems can be variants of standard SAS offerings, or completely bespoke designs.

Call us for more details.

UK +44 (0) 1189 290 900

UK sasint.co.uk

enquiries@sasint.co.uk