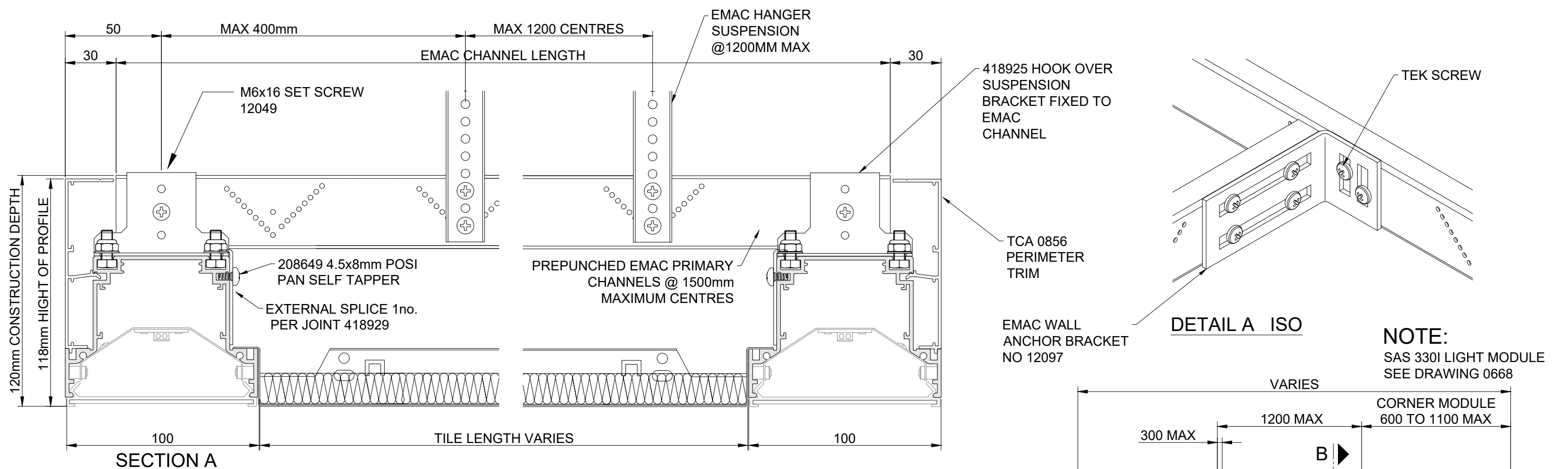


10 NOGGIN SHOULDER FLANGE DETAIL (SEE DRG 0667)

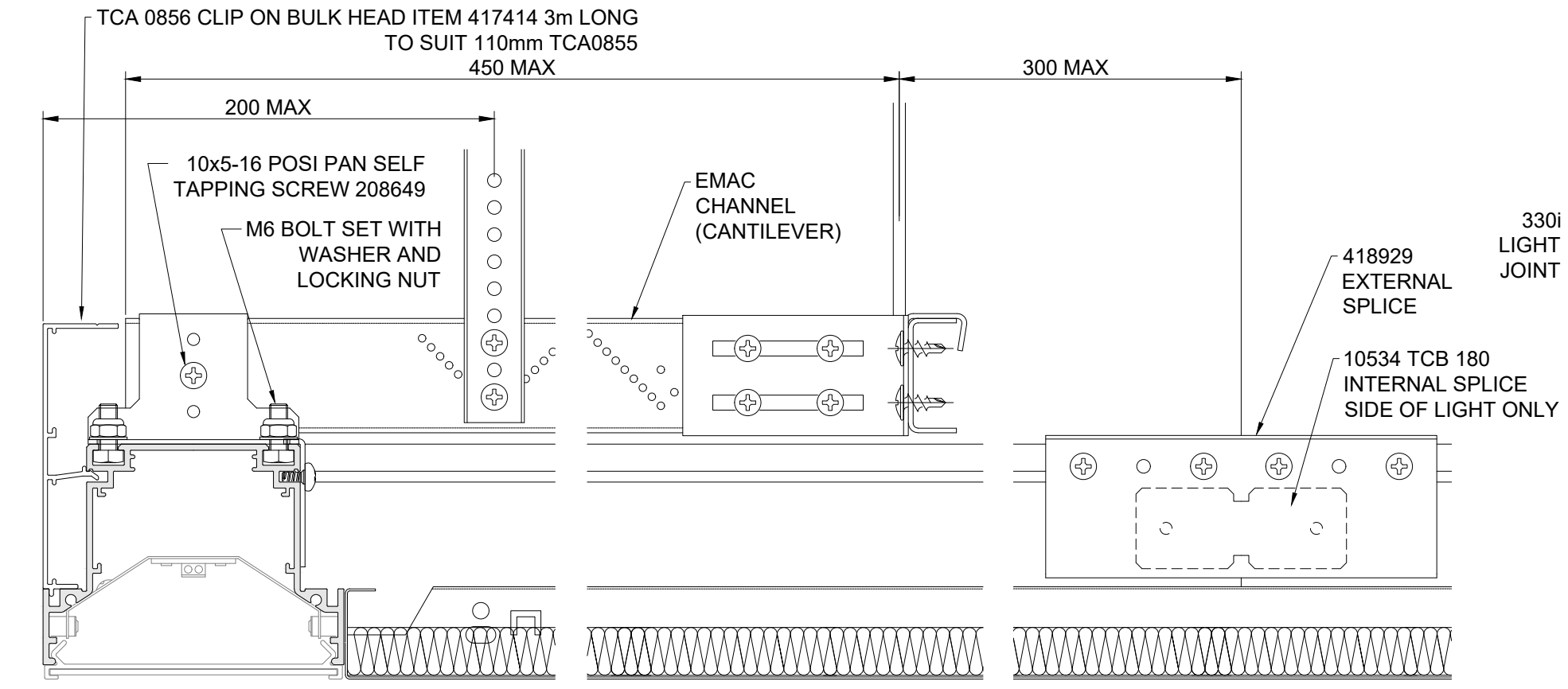
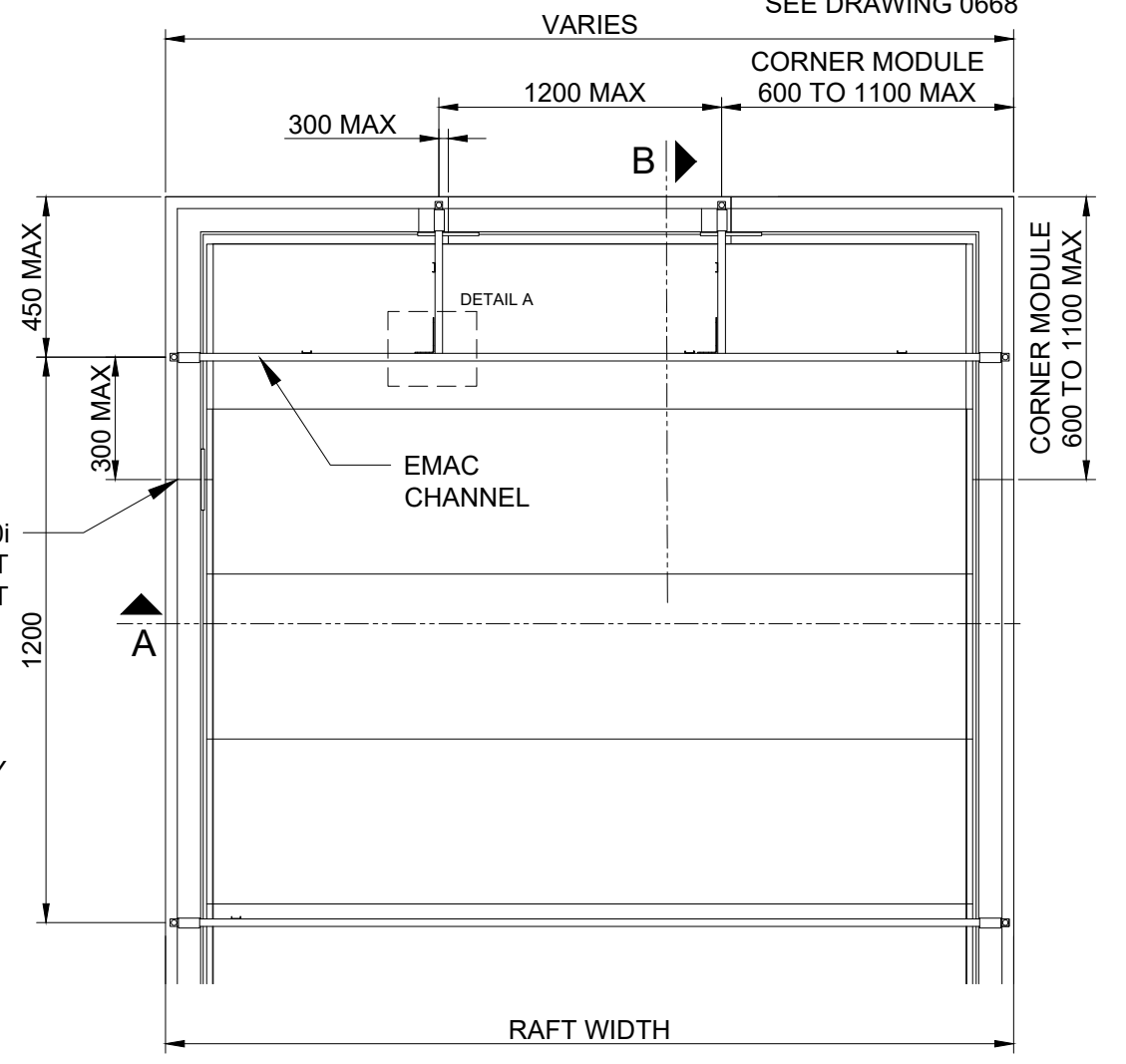
SAS330i			
ITEM	REF	DESCRIPTION	COLOUR
1	VARIOUS	EMAC HANGER	NATURAL
2	VARIOUS	EMAC GRID	NATURAL
3	418925	SAS 330_i EMAC HOOK OVER BRACKET	NATURAL
4	VARIOUS	SAS 330i MODULE - SEE DRAWING 0669	RAL 9010 20%
5	426261	SAS 330_i MAIN PROFILE - 3M LENGTH - WHITE	RAL 9010 20%
6	299797	SAS 330_i BLANK CAP - 3M LENGTH WHITE	RAL 9010 20%
7	10534	TCP 180 SPLICE	NATURAL
8	437449	SAS 330_i NOGGIN - 1.4M LENGTH - WHITE	RAL 9010 20%
9	299798	SAS 330_i BLANK CAP - 1.4M LENGTH - WHITE	RAL 9010 20%
10	418930	SAS 330_i NOGGIN FLANGED BRACKET	NATURAL
11	208649	No10x5-16 POSI PAN SELF TAPPER	NATURAL
12	VARIOUS	SAS 330 TILE	VARIOUS
13	VARIOUS	PERIMETER TRIM / BULKHEAD PROFILE (SHOWN)	RAL 9010 20%
14	VARIOUS	PERIMETER TRIM / BULKHEAD BRACKET (SHOWN)	NATURAL
15	324807	3mm x 20mm COIL PIN SPLICE	NATURAL
16	380697	2m 6 CORE CABLE 6 WAY GST18/6	NATURAL
	380698	4m 6 CORE CABLE 6 WAY GST18/6	NATURAL
17	331810	SYS 330i LIGHT PLUG STARTER GST18/6 BLACK/BLUE FEMALE CONNECTOR (LOCKING) S166GST	BLACK/BLUE
	417084	AS ITEM 331810, BUT WITH PRE-WIRED 5M 6 CORE WHITE CABLE	BLACK/BLUE WHITE
18	12029	M6x16mm HEX BOLT SET 424599, 232028, 12026	NATURAL

**NOTE:**  
FOR ALTERNATIVE TRIM OPTIONS  
REFER TO DRAWINGS 0689 & 0728

REV	DATE	DESCRIPTION	INITIAL
A	21/09/2020	FIRST ISSUE	---



**NOTE:**  
SAS 330i LIGHT MODULE  
SEE DRAWING 0668



**SECTION B**

**PLAN VIEW**

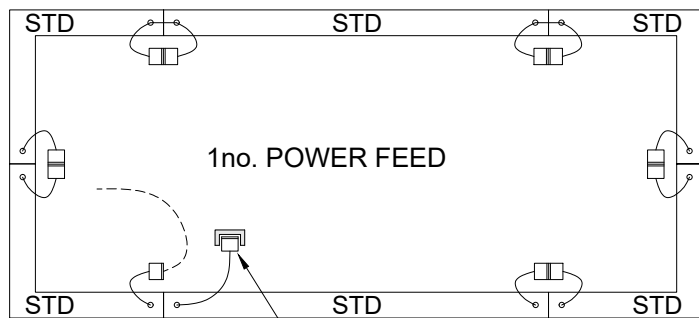
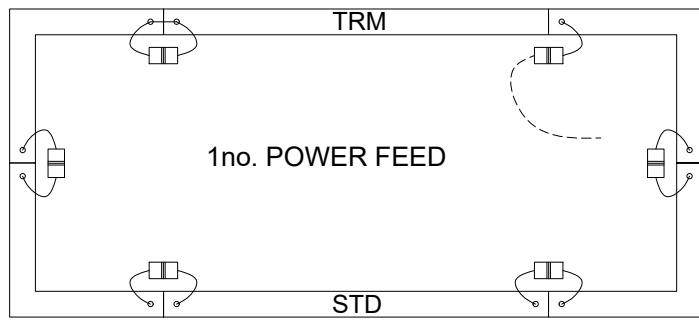


SAS International claims proprietary rights in the information disclosed hereon. This drawing is furnished in confidence on the express understanding that neither it nor any reproduction thereof will be disclosed to others or used for the purpose of manufacture or procurement of the article or part shown hereon without the express consent in writing of SAS International. It should be understood that any article or part either made in accordance with the attached drawing or copied from an article or part made in accordance with said drawing, without the express permission in writing of SAS International, will be an infringement of the Copyright which subsists in said drawing and therefore actionable at law.

REV	DATE	DESCRIPTION	INITIAL
A	24/09/2020	FIRST ISSUE	---

**SAS330i**  
D78 - TYPICAL RAFT APPLICATION

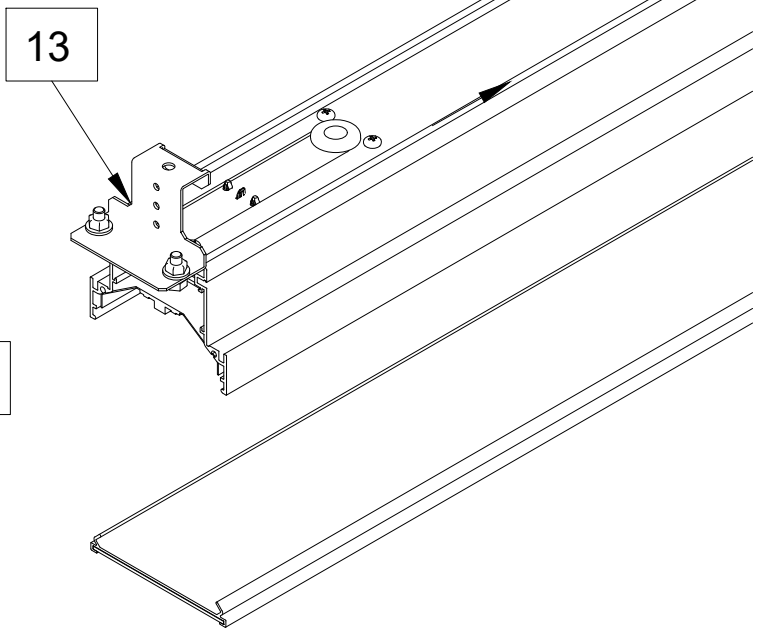
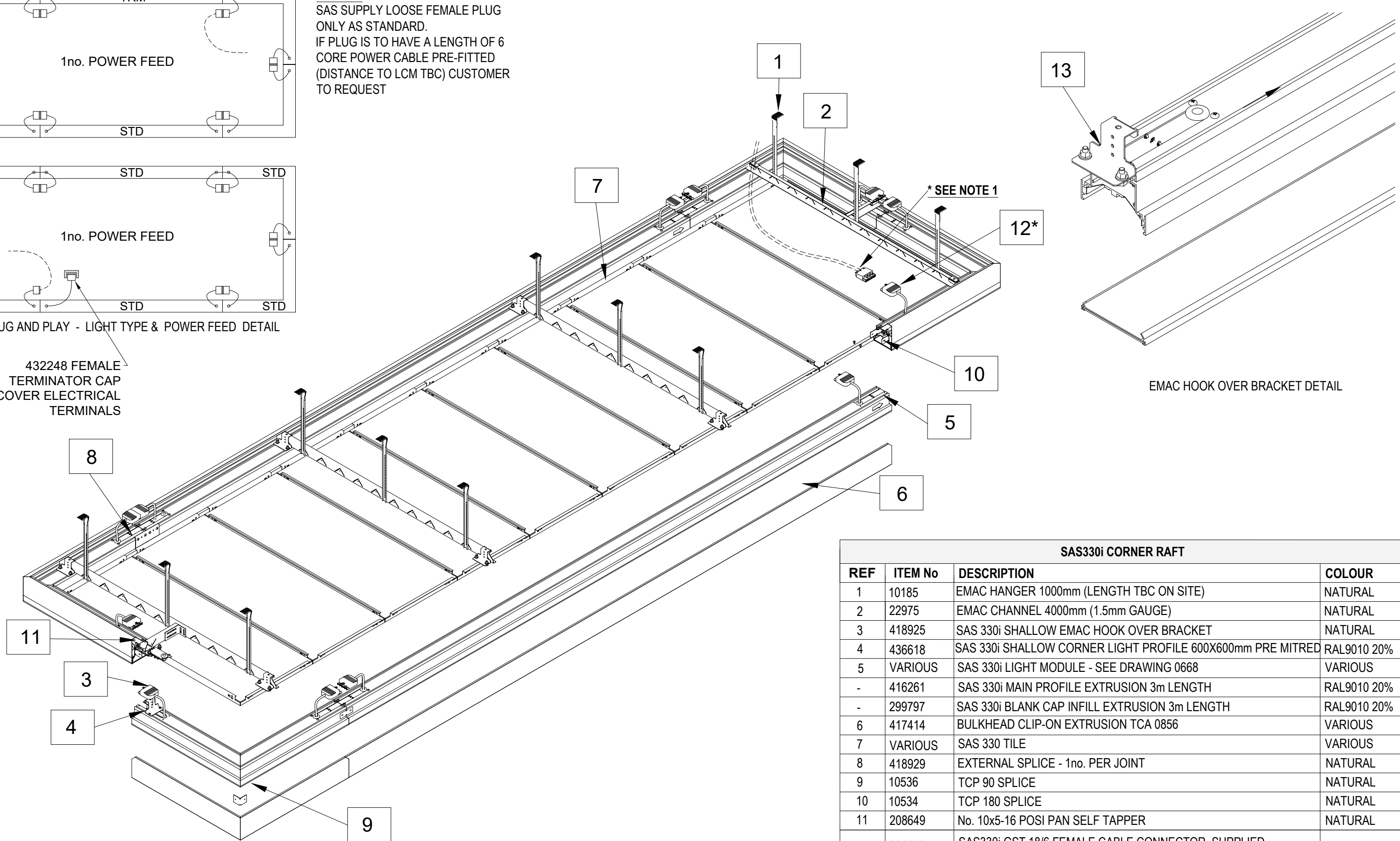
SCALE @ A3 AS SHOWN	DATE 24/09/2020	DRAWN BY JAG
DRG / ITEM No. 0736	REV	A
<b>WORKNORM</b>		



**\* NOTE 1**  
 SAS SUPPLY LOOSE FEMALE PLUG ONLY AS STANDARD.  
 IF PLUG IS TO HAVE A LENGTH OF 6 CORE POWER CABLE PRE-FITTED (DISTANCE TO LCM TBC) CUSTOMER TO REQUEST

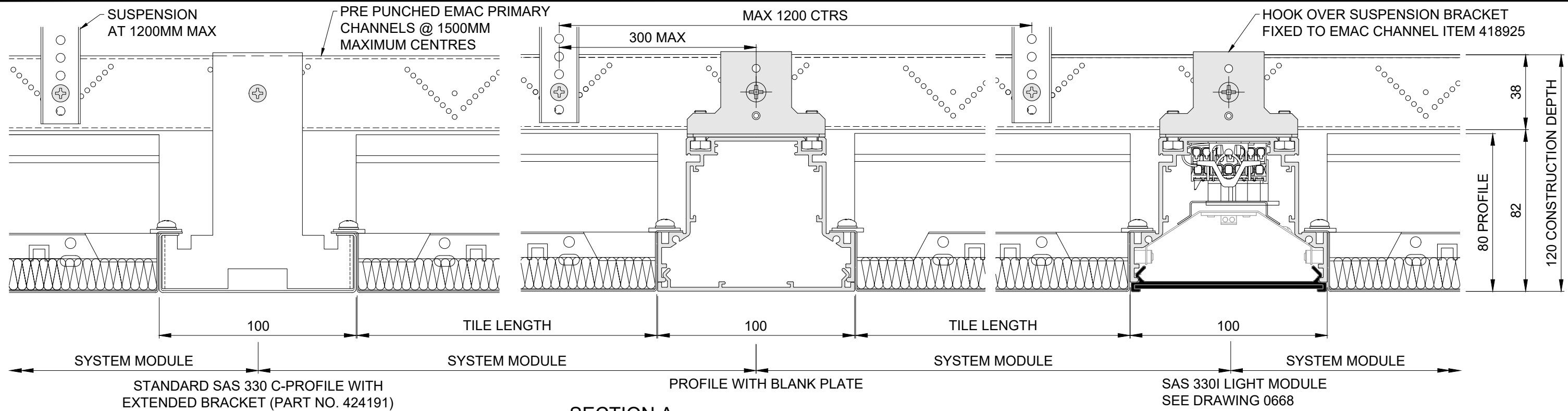
PLUG AND PLAY - LIGHT TYPE & POWER FEED DETAIL

432248 FEMALE TERMINATOR CAP TO COVER ELECTRICAL TERMINALS

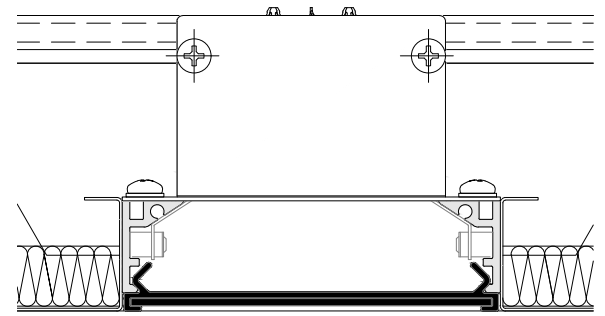
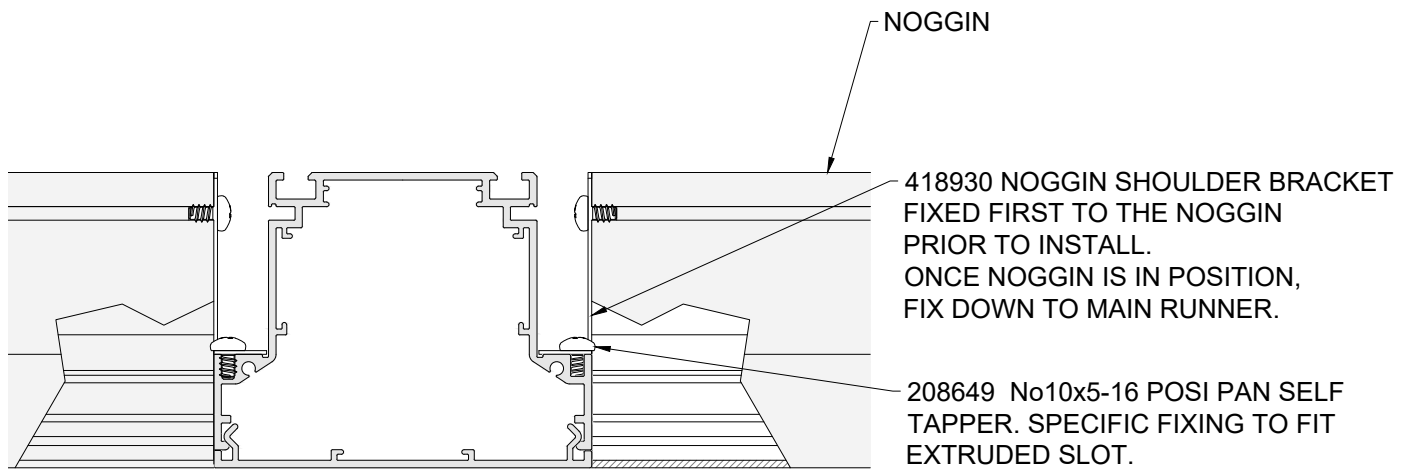


SAS330i CORNER RAFT			
REF	ITEM No	DESCRIPTION	COLOUR
1	10185	EMAC HANGER 1000mm (LENGTH TBC ON SITE)	NATURAL
2	22975	EMAC CHANNEL 4000mm (1.5mm GAUGE)	NATURAL
3	418925	SAS 330i SHALLOW EMAC HOOK OVER BRACKET	NATURAL
4	436618	SAS 330i SHALLOW CORNER LIGHT PROFILE 600X600mm PRE MITRED	RAL9010 20%
5	VARIOUS	SAS 330i LIGHT MODULE - SEE DRAWING 0668	VARIOUS
-	416261	SAS 330i MAIN PROFILE EXTRUSION 3m LENGTH	RAL9010 20%
-	299797	SAS 330i BLANK CAP INFILL EXTRUSION 3m LENGTH	RAL9010 20%
6	417414	BULKHEAD CLIP-ON EXTRUSION TCA 0856	VARIOUS
7	VARIOUS	SAS 330 TILE	VARIOUS
8	418929	EXTERNAL SPLICE - 1no. PER JOINT	NATURAL
9	10536	TCP 90 SPLICE	NATURAL
10	10534	TCP 180 SPLICE	NATURAL
11	208649	No. 10x5-16 POSI PAN SELF TAPPER	NATURAL
12*	331810	SAS330i GST 18/6 FEMALE CABLE CONNECTOR, SUPPLIED LOOSE FOR WIRING ON-SITE BY ELECTRICIAN	BLACK/BLUE
13	VARIOUS	M6 BOLT SET- 424599, 12029, 232028, 12026	NATURAL

REV	DATE	DESCRIPTION	INITIAL
A	23/01/2020	FIRST ISSUE	---
B	04/08/2021	EXTERNAL SPLICE ITEM	JAG

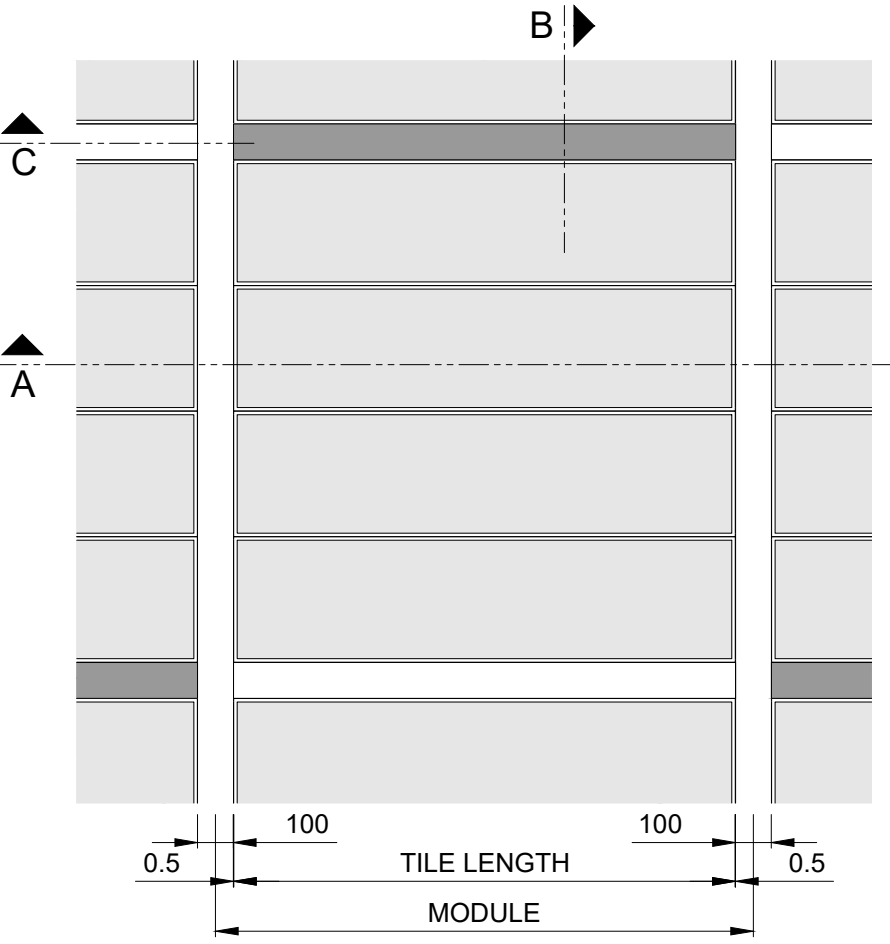
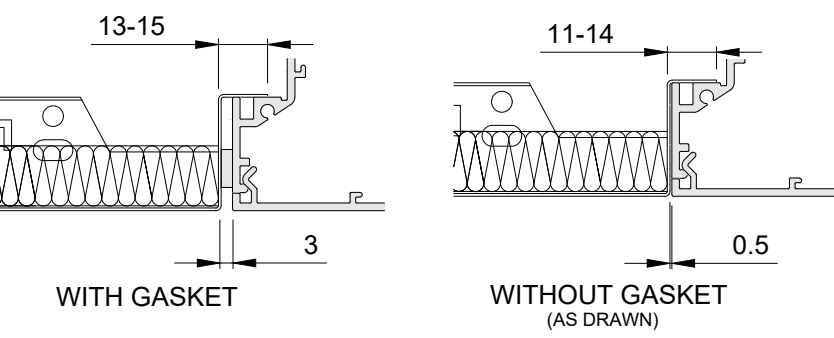


**SECTION A**  
SCALE 1:2



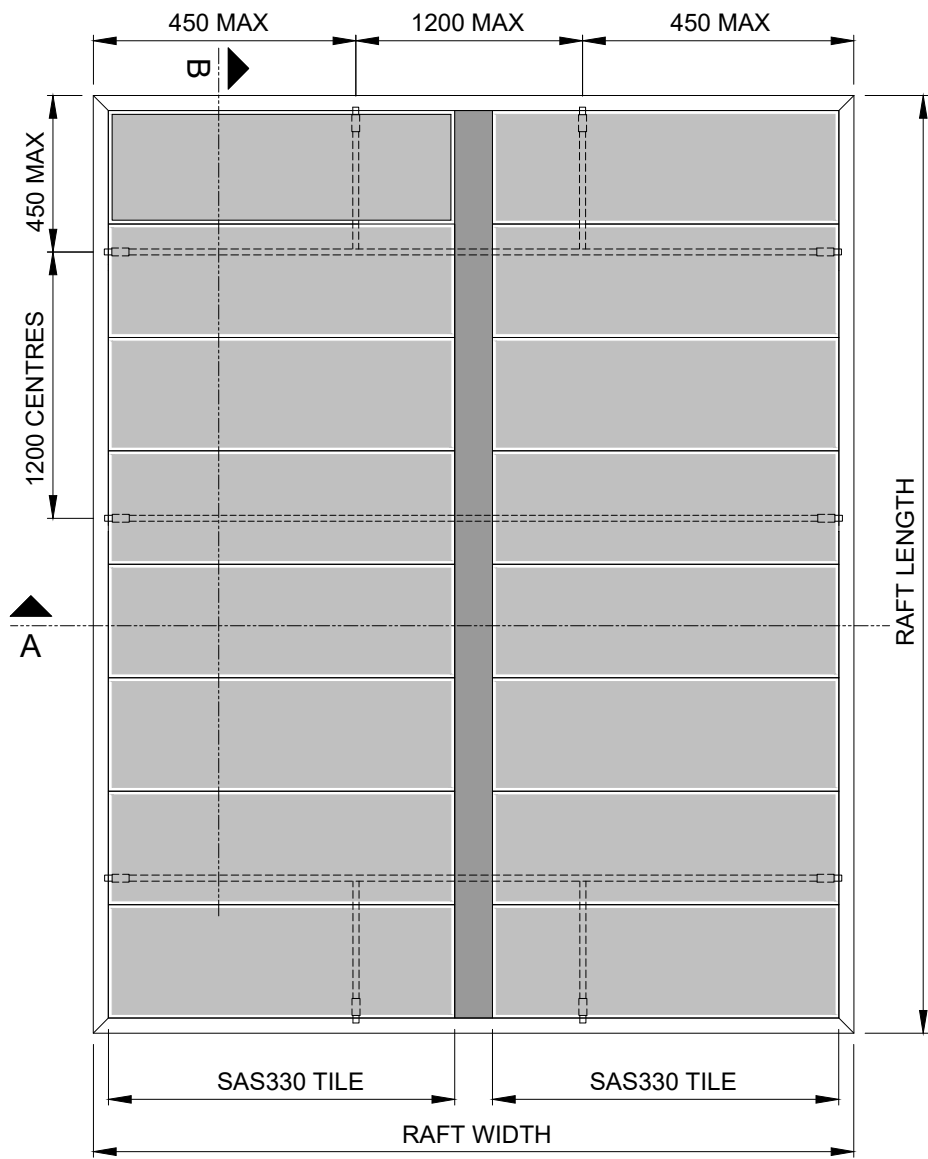
**SECTION B**  
SCALE 1:2

**PART BREAK OUT SECTION C**  
SCALE 1:2

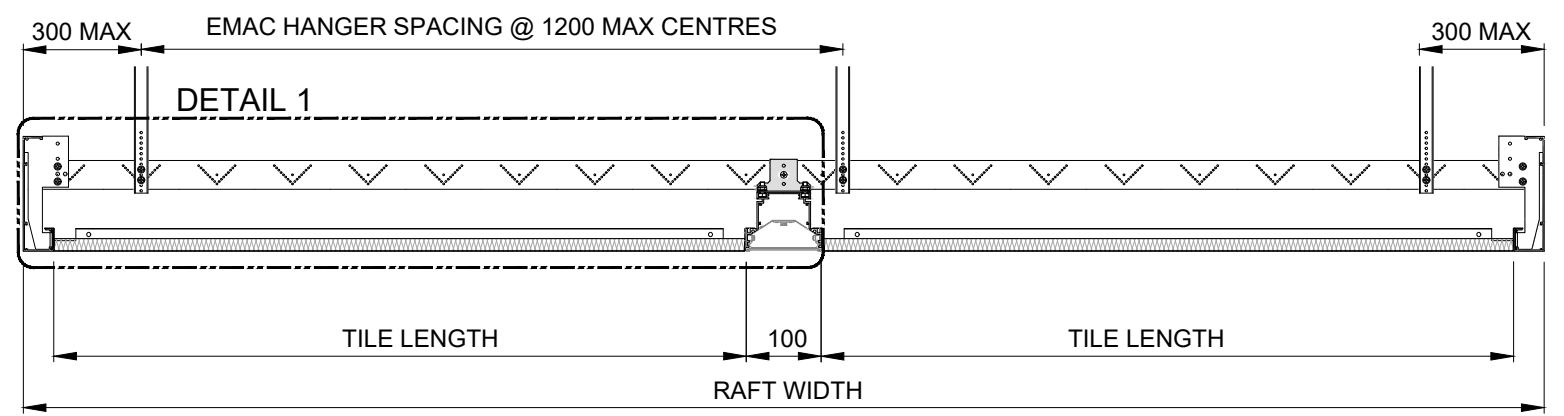


**PART REFLECTED PLAN**  
SCALE N.T.S

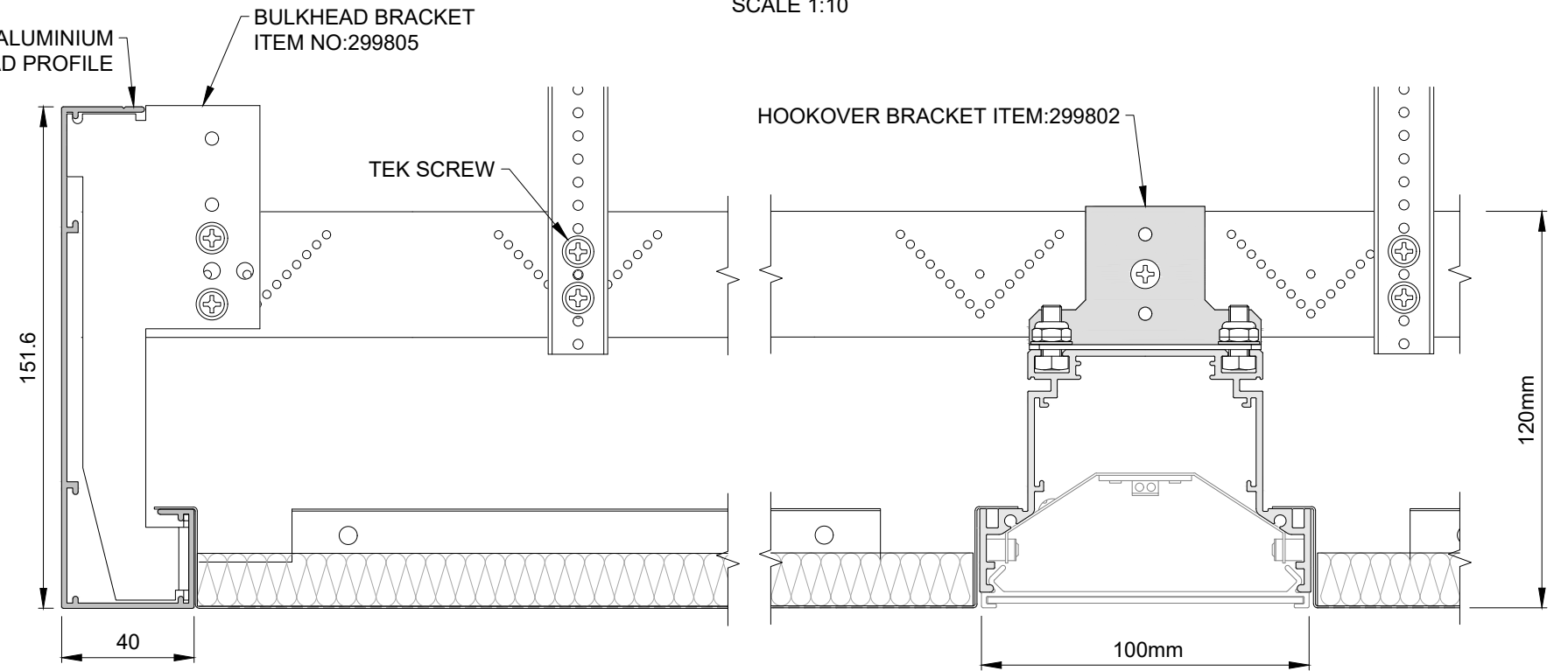
REV	DATE	DESCRIPTION	INITIAL
A	25/10/2021	FIRST ISSUE	---



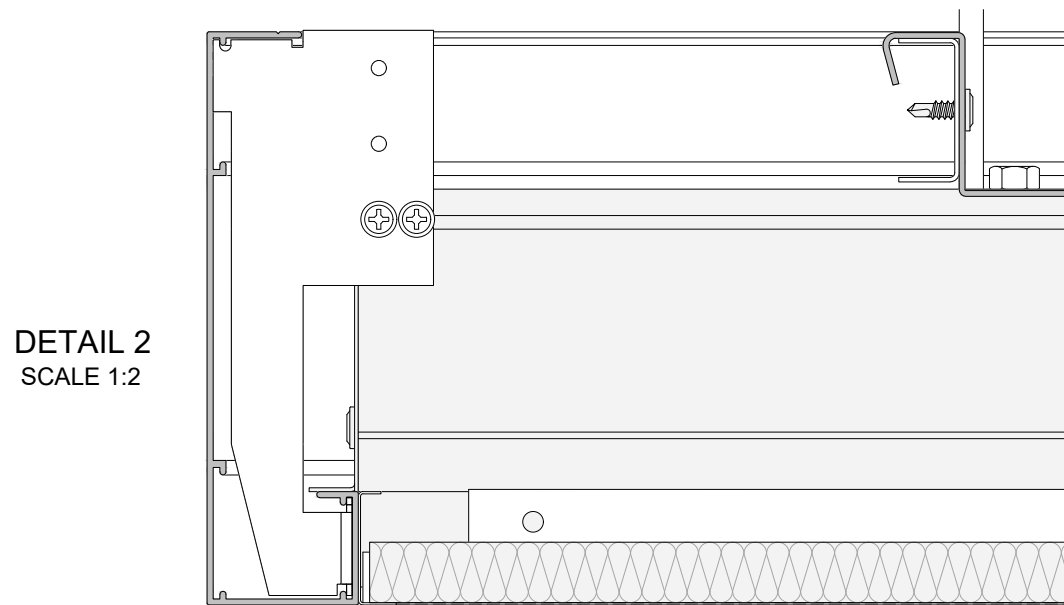
REFLECTED CEILING PLAN VIEW  
SCALE 1:20



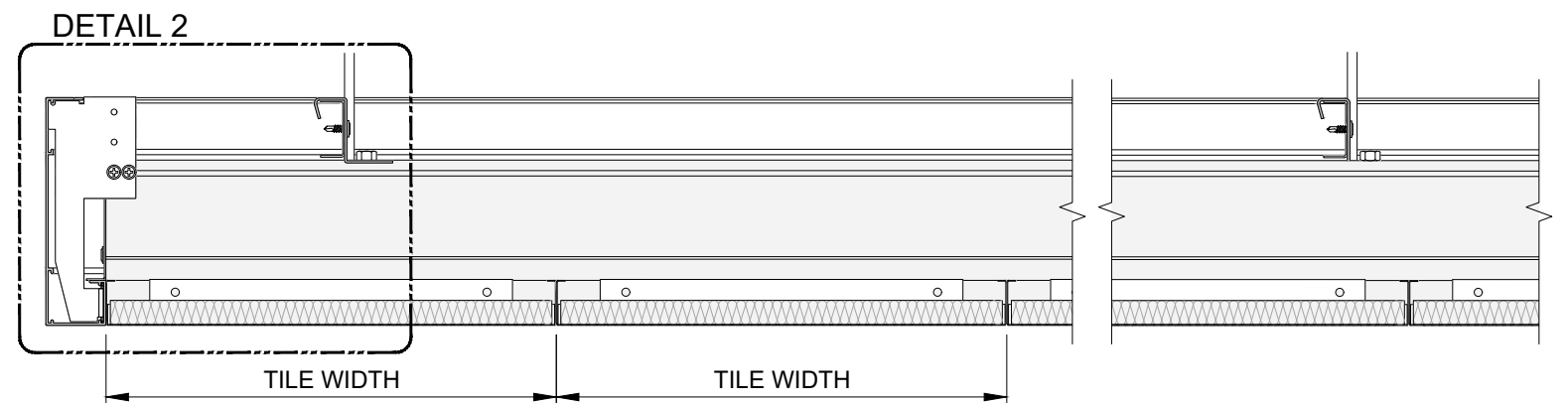
SECTION 'A'  
SCALE 1:10



DETAIL 1  
SCALE 1:2



DETAIL 2  
SCALE 1:2



SECTION 'B'  
SCALE 1:5



SAS International  
EMAC House  
Unit 28, Suttons Business Park  
Earley, Reading  
Berkshire RG6 1AZ  
United Kingdom  
Tel: +44 (0)118 929 0900  
Fax: +44 (0)118 929 0901  
www.sasint.co.uk

SAS International claims proprietary rights in the information disclosed hereon. This drawing is furnished in confidence on the express understanding that neither it nor any reproduction thereof will be disclosed to others or used for the purpose of manufacture or procurement of the article or part shown hereon without the express consent in writing of SAS International. It should be understood that any article or part either made in accordance with the attached drawing or copied from an article or part made in accordance with said drawing, without the express permission in writing of SAS International, will be an infringement of the Copyright which subsists in said drawing and therefore actionable at law.

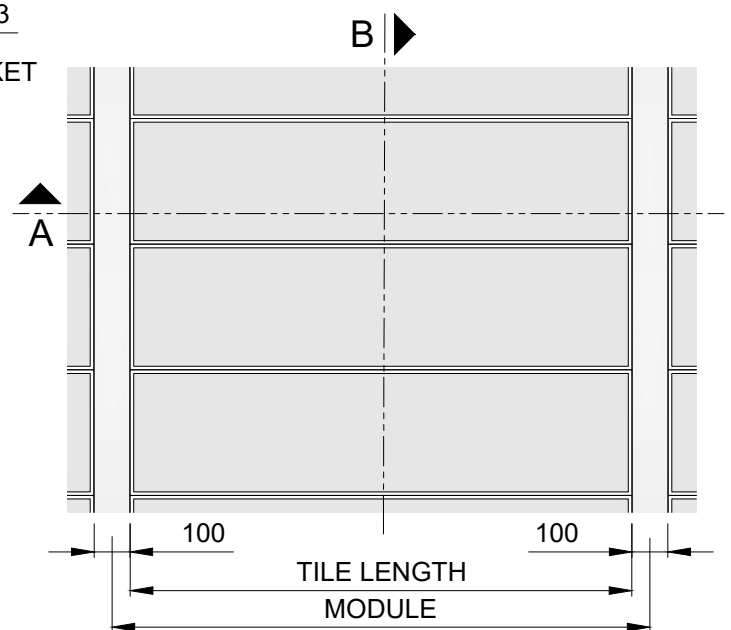
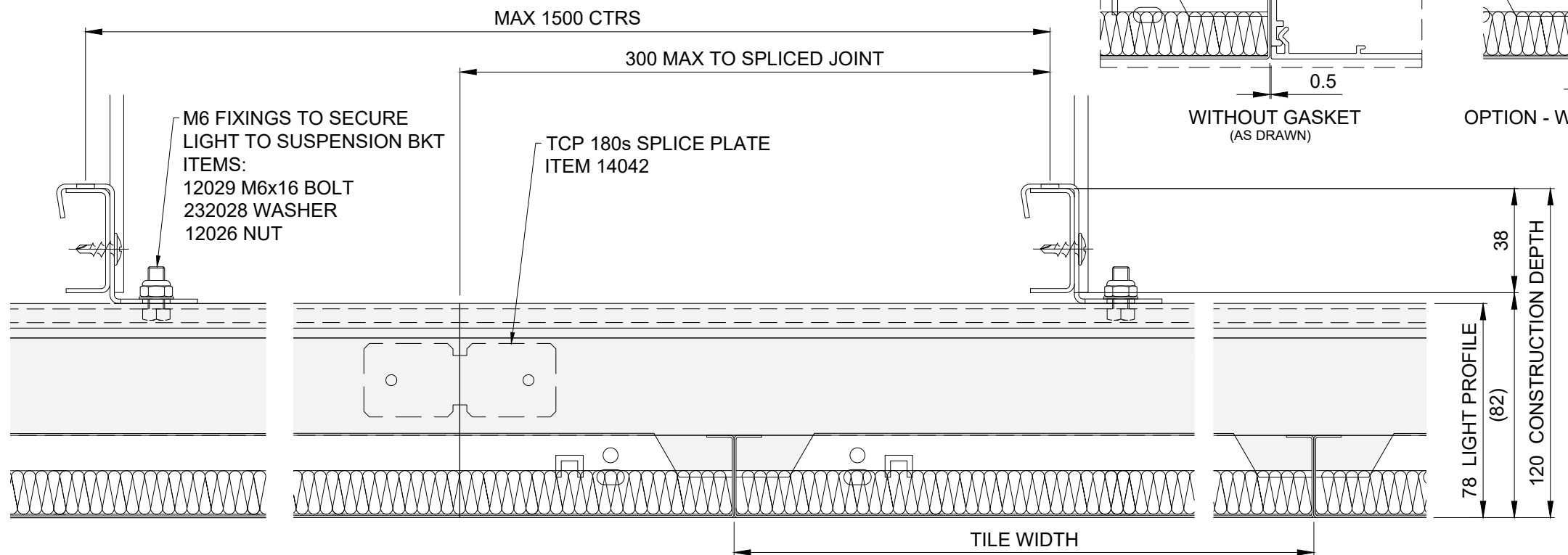
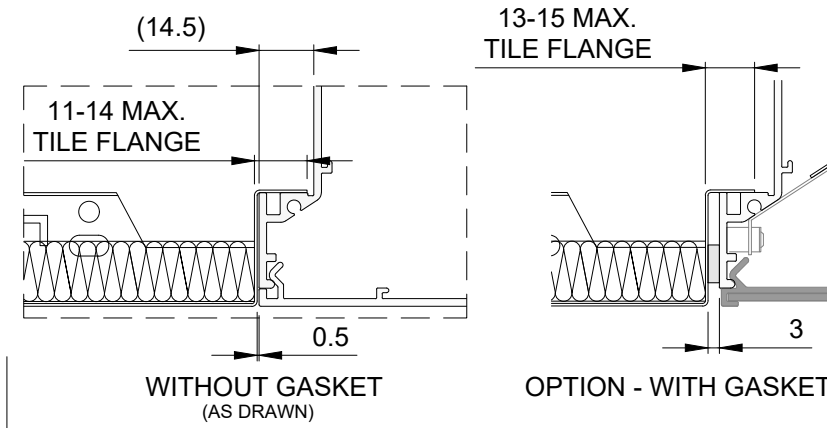
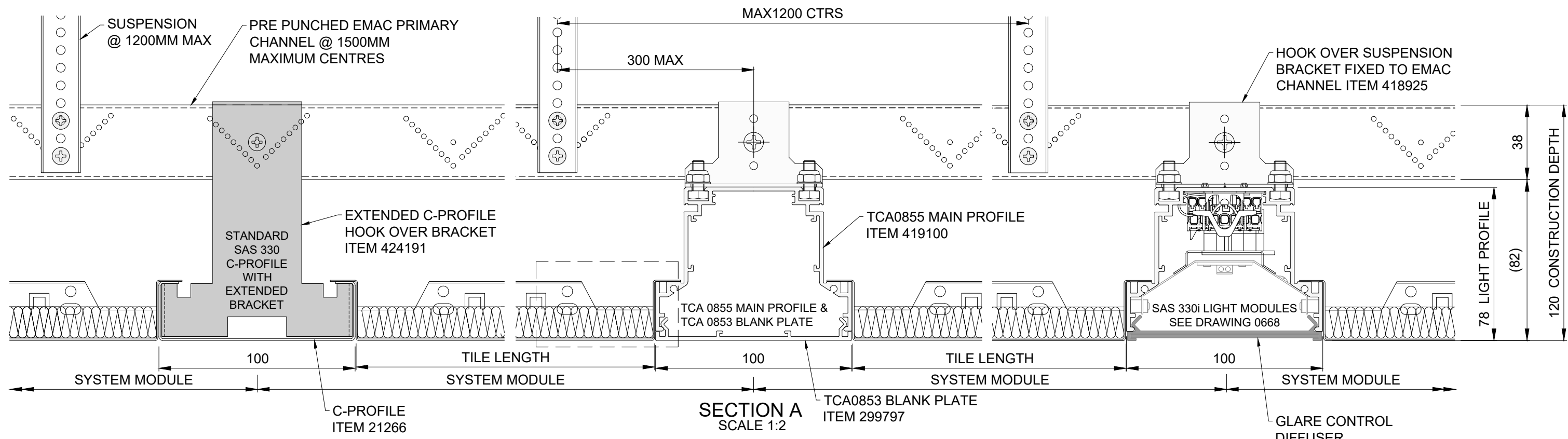
© 2021 SAS International

REV	DATE	DESCRIPTION	INITIAL
A	12/11/2021	FIRST ISSUE	LCB

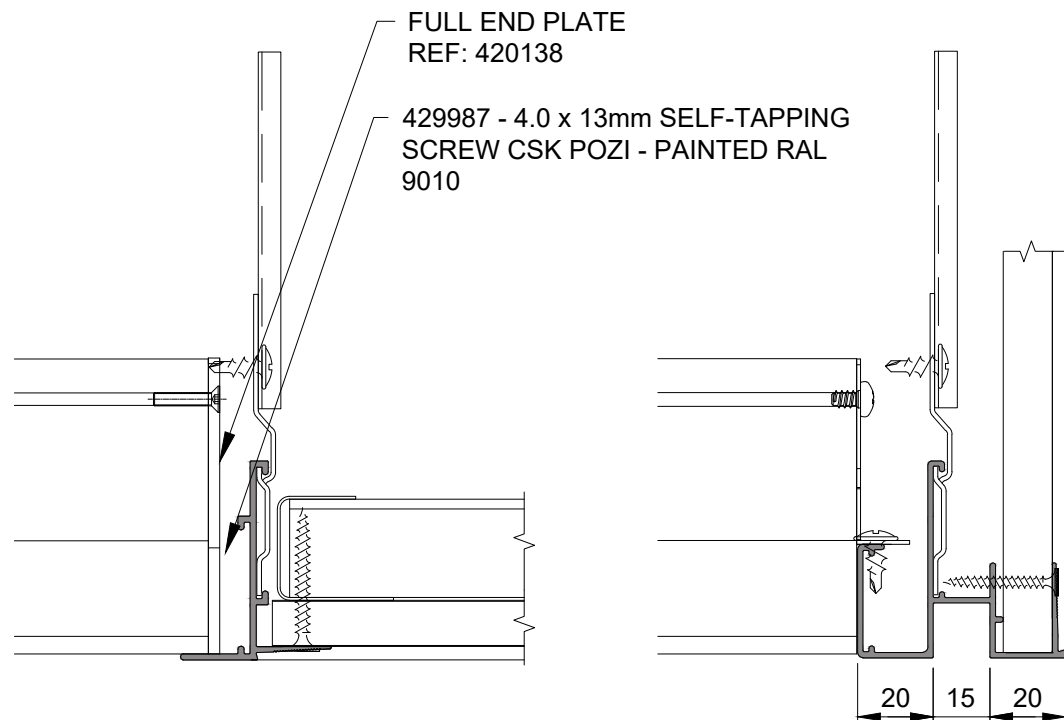
SAS330i  
RAFT APPLICATION

SCALE @ A3	DATE	DRAWN BY
AS SHOWN	22/03/22	LCB
DRG / ITEM No.	REV	
0819	A	

WORKNORM

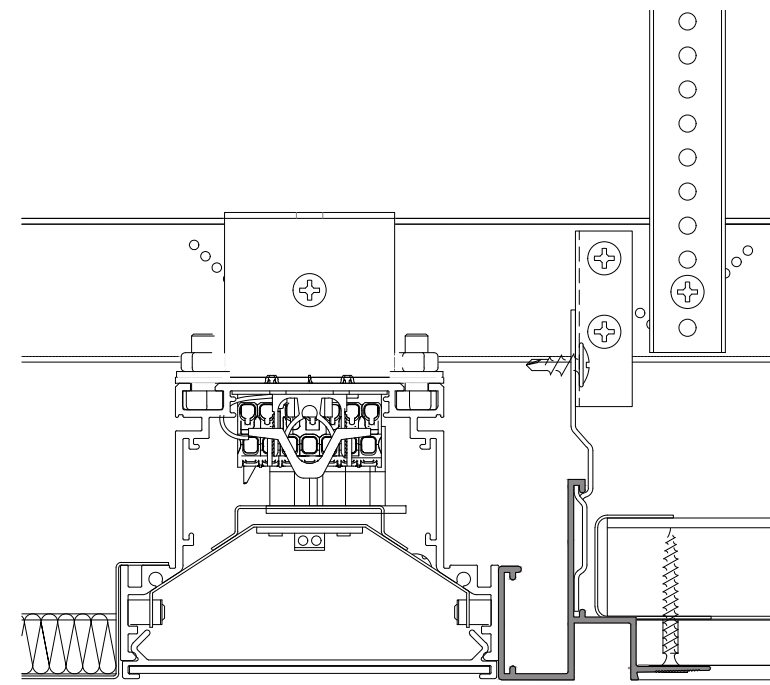


REV	DATE	DESCRIPTION	INITIAL
A	10/04/2020	FIRST ISSUE	---
B	28/05/2020	CONSTRUCTION DEPTH CHANGED TO 120mm	---
C	28/09/2020	NEW BRACKET	JAG



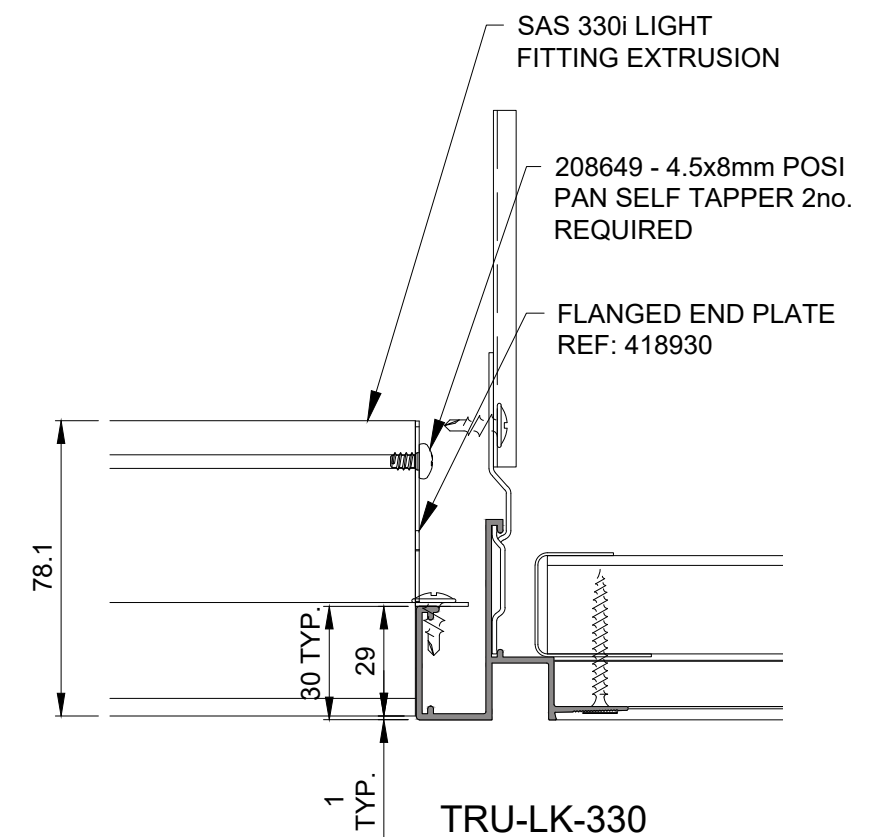
TRU-KB-330

TRU-HM-330

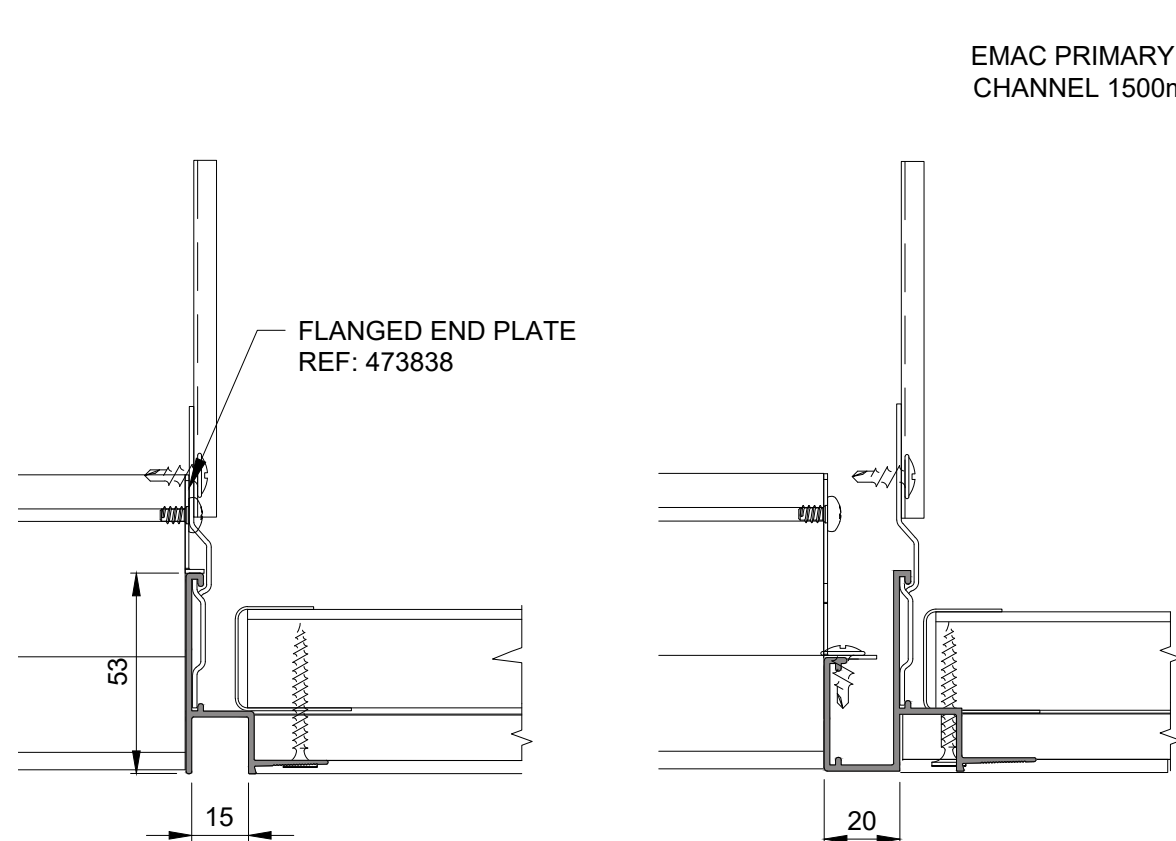


TRU-DW-330

LIGHT PARALLEL TO TRIM

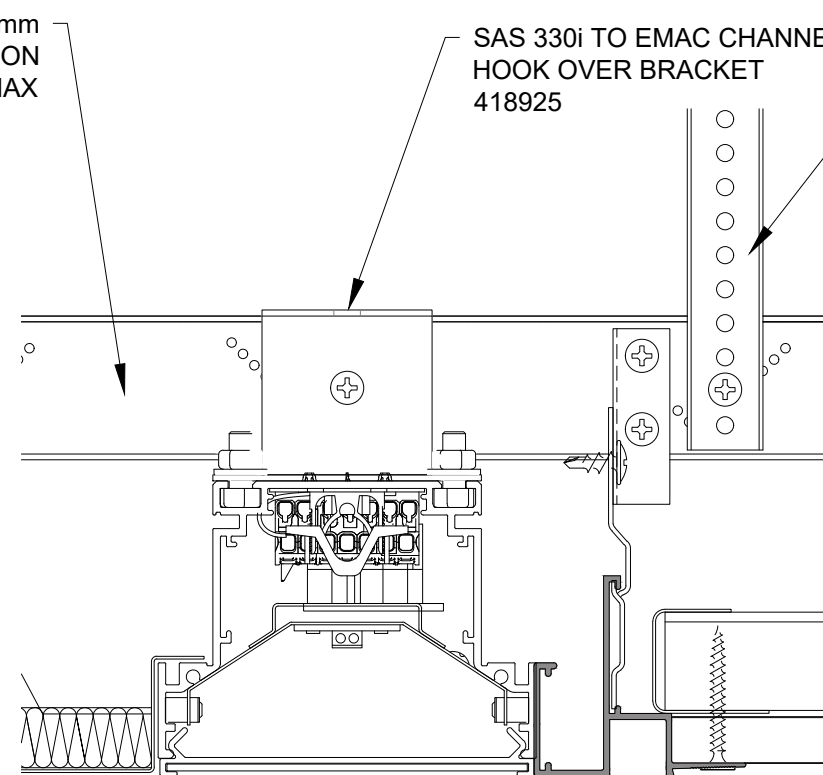


TRU-LK-330



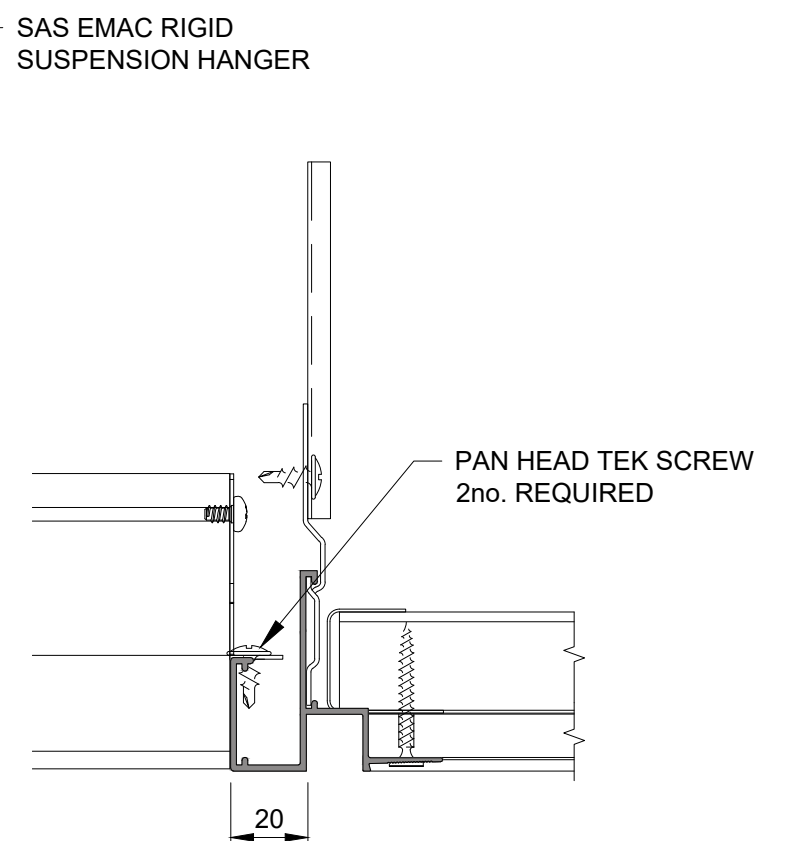
TRU-SL-330

TRU-TJ-330



TRU-TJ-330

LIGHT PARALLEL TO TRIM



TRU-DW-330

REV	DATE	DESCRIPTION	INITIAL
A	20/03/2020	FIRST ISSUE	---
B	29/11/2021	EXTRUSION UPDATES	LCB